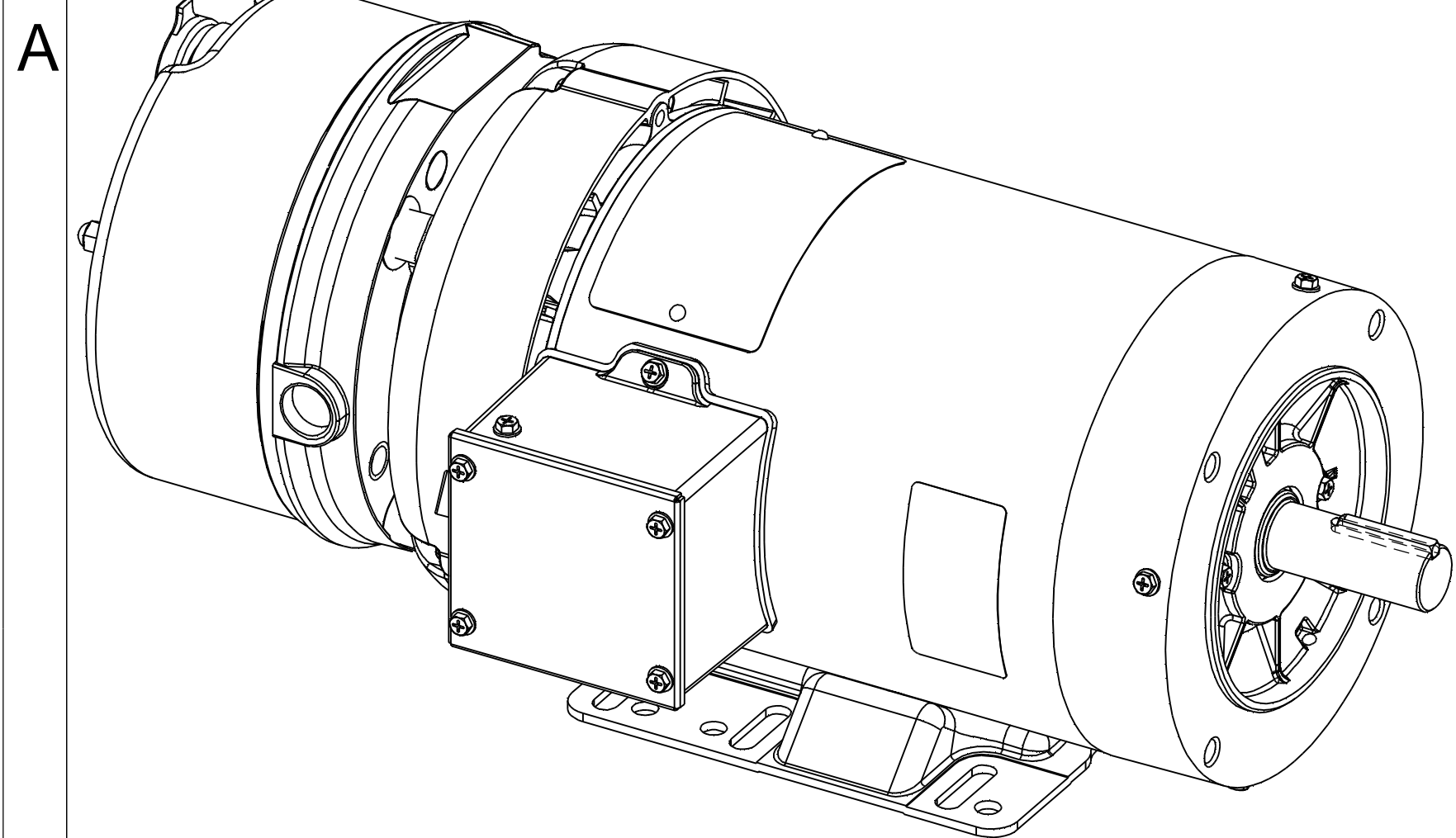
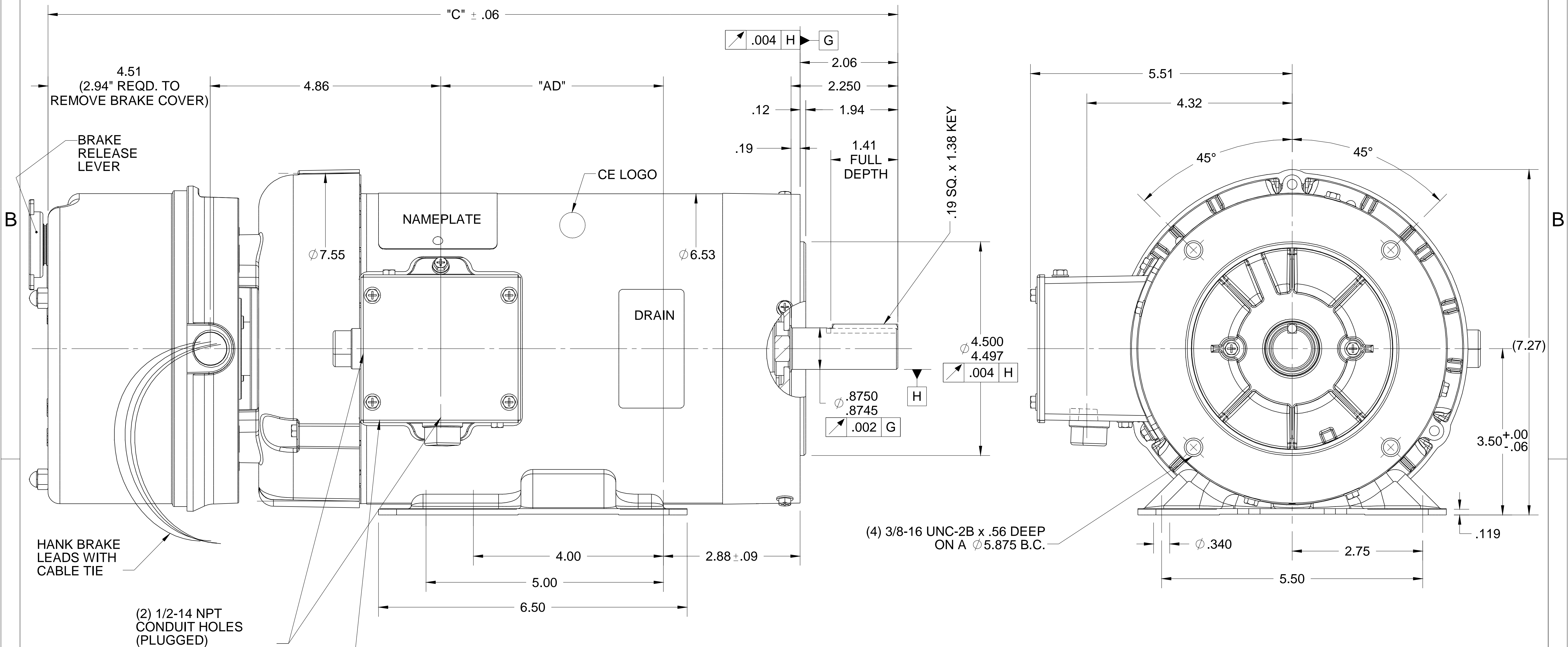


4

3

2

1



**WASHGUARD FEATURES:**

- 1) SHAFT SEAL & V-RING
- 2) PLUGGED DRAIN HOLES IN ENDBELLS & CONDUIT BOX
- 3) STAINLESS STEEL SHAFT, HARDWARE, & NAMEPLATE
- 4) GASKETS THROUGHOUT

DRAWING REVISION D	REVISION BY AL VISTE	DATE 5/4/15
ECO ECO-0075977	APPROVED BY SK	DATE 5/4/15
ECO DESCRIPTION <b>ADDED BRAKE LEADS AND PLUGS</b>		
<small>COPYRIGHT REGAL BELOIT AMERICA, INC. ALL RIGHTS RESERVED. PROPRIETARY AND CONFIDENTIAL INFORMATION - THIS DOCUMENT IS THE PROPERTY OF REGAL BELOIT AMERICA, INC. ("OWNER") AND CONTAINS OWNER'S PROPRIETARY INFORMATION. ANY PERSON, CORPORATION OR OTHER FIRM RECEIVING IT IS DEEMED, BY RECEIVING IT, TO AGREE THAT IT, AND/OR ANY PART OF IT, SHALL NOT BE DISCLOSED TO ANY PERSON, CORPORATION OR OTHER ENTITY, DUPLICATED, AND/OR USED, EXCEPT AS EXPRESSLY APPROVED IN WRITING IN ADVANCE BY OWNER. THIS DOCUMENT SHALL BE RETURNED TO OWNER UPON REQUEST. IT MAY BE SUBJECT TO CERTAIN RESTRICTIONS UNDER APPLICABLE EXPORT CONTROL LAWS AND REGULATIONS.</small>		

TOLERANCES UNLESS OTHERWISE SPECIFIED:		
DEC.	INCH	mm
.X	±0.1	[±2.5]
.XX	±0.03	[±0.76]
.XXX	±0.005	[±0.127]
.XXXX	±0.0005	[±0.0127]
REMOVE BURRS & BREAK SHARP EDGES: .003/.015 [0.076/.381] X 45°		
CORNER FILLETS: R.02 [0.51]		
MACHINED SURFACES: 125 INCH 3.2 mm		
mm SHOWN IN [BRACKETS]		

DRAWN BY GR	DATE 03/25/13
APPROVED BY	DATE
REFERENCE	THIRD ANGLE PROJECTION

<b>REGAL</b> ™ Regal Beloit America, Inc.	
DESCRIPTION <b>OUTLINE</b> TEFC - RIGID "C" FACE - BRAKEMOTOR	
MATERIAL	PROCESS/FINISH
SIZE <b>B</b>	DRAWING NUMBER <b>607-0150</b>
SHEET <b>1 OF 1</b>	

DASH NO.	"C"	"AD"
650	17.50	3.69
700	18.00	4.19
750	18.50	4.69
800	19.00	5.19
850	19.50	5.69
900	20.00	6.19

4

3

2

1